

MSTronic Co.,Ltd.

2F, 12, Gongshang Rd., Wugu Dist., New Taipei City, 248, Taiwan

TEL:886-2-2293-0159 FAX:886-2-2292-8851

E.MAIL: mse@mse.com.tw

WEB: <http://www.mse.com.tw>

MIT-07G-48BDNN

PoE Injector AC/DC, 5G, 802.3af

1. INPUT :

- 1.1 Input Voltage: 100Vac to 240Vac
- 1.2 Input Frequency: 50/60 hz
- 1.3 Input Current: 0.49A at 100Vac
0.27A at 240Vac

2. OUTPUT :

2.1 Output Voltage & Current:

OUTPUT	48V
Max. load	0.35A
Power	17W
Min. Load	0A
Load reg. %	5%
Line reg. %	1%
Ripple %	1%
Noise %	1%

TOTAL POWER : 17W

Note 1: Noise bandwidth is from DC to 20Mhz. Ripple & Noise is measured by
Paralleling a 0.1Uf metalized capacitor on the test point.

3. EFFICIENCY : 87% min at Full Load , 100Vac & 240Vac Input Voltage

4. PROTECTION

4.1 Short Circuit Protection

Output Short GND Terminal will not damage the Power Supply and will Auto-Reset.

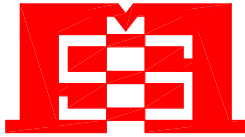
4.2 Input with Fuse Protection.

4.3 High Pot: 4242Vdc, 60Sec, Input Terminal to output Terminal.

4.4 Meet Level 6 (USA-VI)

5. GENERAL DESCRIPTION

- 5.1 Operation Temperature: -40 - +40 Degree
- 5.2 Storage Temperature: -40 - +85 Degree
- 5.3 Operation Humidity: 5% - 90%



MSTronic Co.,Ltd.

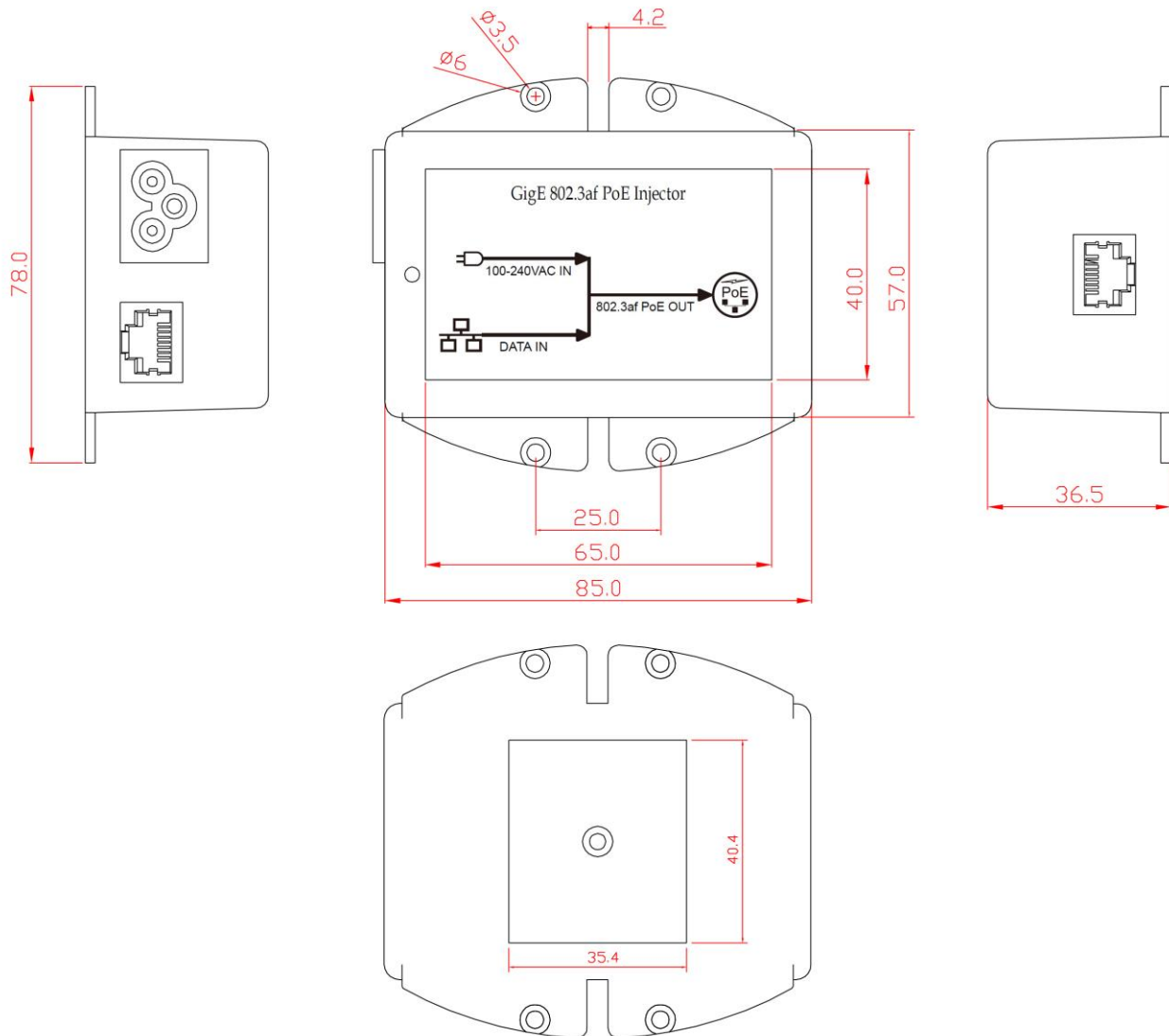
2F, 12, Gongshang Rd., Wugu Dist., New Taipei City, 248, Taiwan

TEL:886-2-2293-0159 FAX:886-2-2292-8851

E.MAIL: mse@mse.com.tw

WEB: <http://www.mse.com.tw>

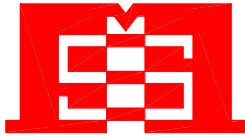
- 5.4 Cooling: Free air cooling
- 5.5 SIZE : 86*78*36 (L)*(W)*(H) unit: m/m
- 5.6 DIN rail mountable by clip kit (option)



6. Indicator :

6.1 LED (GREEN) Indicate POE Output 802.3af PD detected.

6.2 LED(RED) Indicate POE Output no valid detection.



MSTronic Co.,Ltd.

2F, 12, Gongshang Rd., Wugu Dist., New Taipei City, 248, Taiwan

TEL:886-2-2293-0159 FAX:886-2-2292-8851

E.MAIL: mse@mse.com.tw

WEB: <http://www.mse.com.tw>

7. CONNECTION :

RJ-45 Input (Data Only)			RJ-45 Output (Data & Power)	
Pin	Symbol	Description	Symbol	Description
1	BI_DA+	Data Pair A+	BI_DA+	Data Pair A+
2	BI_DA-	Data Pair A-	BI_DA-	Data Pair A-
3	BI_DB+	Data Pair B+	BI_DB+	Data Pair B+
4	BI_DC+	Data Pair C+	+Vdc + BI_DC+	power(+)+Data Pair C+
5	BI_DC-	Data Pair C-	+Vdc + BI_DC-	power(+)+Data Pair C-
6	BI_DB-	Data Pair B-	BI_DB-	Data Pair B-
7	BI_DD+	Data Pair D+	-Vdc + BI_DD+	power(-)+Data Pair D+
8	BI_DD-	Data Pair D-	-Vdc + BI_DD-	power(-)+Data Pair D-

Installation

8. Installation

To install the Gigabit PoE Injector, please follow the steps below.

8.1 Connect the DATA IN port on the Gigabit PoE Injector to a switch or HUB with an RJ-45 cable.

8.2 Using an RJ-45 cable, connect the DATA OUT port on the Gigabit PoE Injector to a PoE splitter, PoE device (such as a router, access Point, etc.) or a PoE Hub.

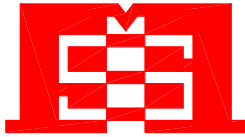
8.3 Plug in the power connector of the Injector to a connect dc power outlet.

8.4 The product fixed installation, please refer to the figure 1.

8.5 Before starting, ensure all connections are correct.

- The Gigabit PoE Injector connects to the Splitter, PoE Hub or POE device through the DATA OUT port.
- The Gigabit PoE Injector connects to the switch through the DATA IN port.
- The POWER IN port is receiving power from the dc power outlet.

Start connecting the operating voltage solely if all the above requirements are fulfilled.



MSTronic Co.,Ltd.

2F, 12, Gongshang Rd., Wugu Dist., New Taipei City, 248, Taiwan

TEL:886-2-2293-0159 FAX:886-2-2292-8851

E.MAIL: mse@mse.com.tw

WEB: <http://www.mse.com.tw>

9. Safety Instructions

- 9.1 This product is for build-in use only
- 9.2 This product is only used by instructed person
- 9.3 The application equipment should provide basic safeguard
- 9.4 Do not place the device on any unstable surface
- 9.5 Do not use the device near water
- 9.6 Do not place the device near, or over, radiators or heat registers
- 9.7 Do not place the device on any locations where children

Figure 1.

