



MSTronic Co., Ltd.

2F, 12, Gongshang Rd., Wugu District, New Taipei City, 248 Taiwan

TEL:886-2-2293-0159 FAX:886-2-2292-8851

E.MAIL: mse@mse.com.tw
WEB: <http://www.mse.com.tw>

SPECIFICATION

MIT-33G-24BNN

PoE Injector AC/DC, 1G/5G Passive

1. INPUT :

- 1.1 Input Voltage: AC 100V ~ 240V
- 1.2 Input Frequency : 50 ~ 60hz
- 1.3 Input Current: 1.0A at 100Vac @F.L
0.6A at 240Vac @F.L
- 1.4 Inrush current: 25A Max at 120Vac & 50A Max at 230Vac

2. OUTPUT :

2.1 Output Voltage & Current:

| | |
|-------------|---------|
| OUTPUT | +24V |
| Max. load | 2A |
| Power | 48W Max |
| Min. Load | 0A |
| Load reg. % | 5% |
| Line reg. % | 1% |
| Ripple % | 1% * |
| Noise % | 2% |

TOTAL POWER : 48 W

Note 1: Ripple & Noise bandwidth is from DC to 20Mhz. Terminated
With a 47uF Capacitor and 0.1uf MPE Capacitor of Proper
Polarity.

* Above 100V = 1%

Note 2: **Output up to 2.0A @25C. De-rate output power when ambient
temperature rise, 1.5A @70C,**

3. EFFICIENCY : 85% min. at AC 100V ~ 240V Input @F.L

4. PROTECTION

4.1 Short Circuit Protection

output Short GND Terminal will not damage the Power Supply will Auto
Recover when Load status going to normally.



MSTronic Co., Ltd.

2F, 12, Gongshang Rd., Wugu District, New Taipei City, 248 Taiwan

TEL:886-2-2293-0159 FAX:886-2-2292-8851

E.MAIL: mse@mse.com.tw

WEB: <http://www.mse.com.tw>

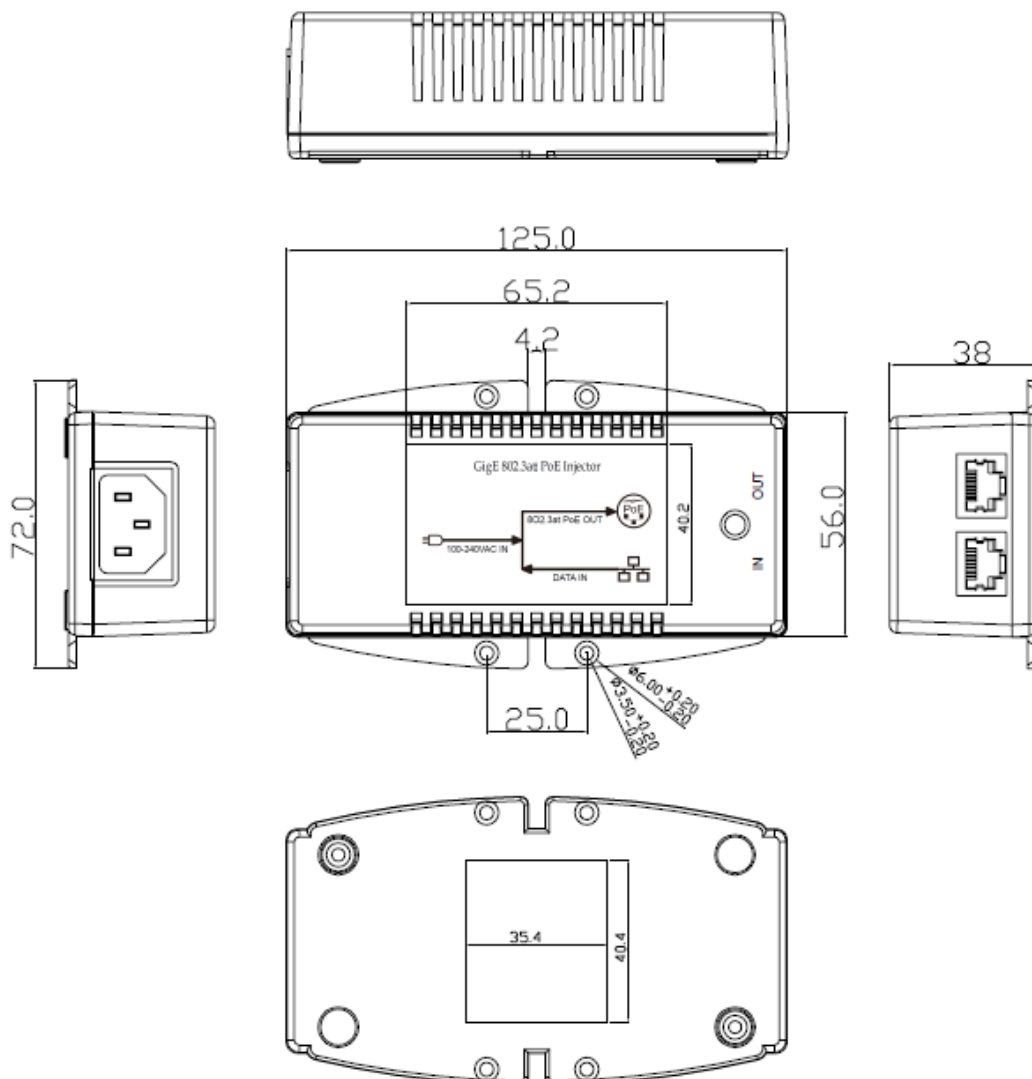
- 4.2 Over Voltage Protection : 30V ~ 33V
- 4.3 Over Current Limits : 120% ~ 140% @100V ~ 240Vac
- 4.4 Input with Fuse Protection

5. EMC : Meet FCC Class B EN55032 Class B

5.1 SAFETY STANDARD : Meet EN62368-1

6. GENERAL DESCRIPTION

- 6.1 Operation Temperature: -40 - +50 Degree
- 6.2 Storage Temperature: -40 - +85 Degree
- 6.3 Operation Humidity: 5% - 90%
- 6.4 Cooling: Free air cooling
- 6.5 SIZE 125*72*38 (L*W*H)
- 6.6 DIN rail mountable by clip kit (option)





MSTronic Co., Ltd.

2F, 12, Gongshang Rd., Wugu District, New Taipei City, 248 Taiwan

TEL:886-2-2293-0159 FAX:886-2-2292-8851

E.MAIL: mse@mse.com.tw
 WEB: http://www.mse.com.tw

7. RJ45 Connected and pin out: @1000/5000MBASE

| RJ-45 Input (Data Only) | | | RJ-45 Output (Data & Power) | |
|-------------------------|--------|--------------|-----------------------------|-----------------------|
| Pin | Symbol | Description | Symbol | Description |
| 1 | BI_DA+ | Data Pair A+ | BI_DA+ | Data Pair A+ |
| 2 | BI_DA- | Data Pair A- | BI_DA- | Data Pair A- |
| 3 | BI_DB+ | Data Pair B+ | BI_DB+ | Data Pair B+ |
| 4 | BI_DC+ | Data Pair C+ | +Vdc + BI_DC+ | power(+)+Data Pair C+ |
| 5 | BI_DC- | Data Pair C- | +Vdc + BI_DC- | power(+)+Data Pair C- |
| 6 | BI_DB- | Data Pair B- | BI_DB- | Data Pair B- |
| 7 | BI_DD+ | Data Pair D+ | -Vdc + BI_DD+ | power(-)+Data Pair D+ |
| 8 | BI_DD- | Data Pair D- | -Vdc + BI_DD- | power(-)+Data Pair D- |

8. Indicator:

LED (GREEN) indicates POE Output OK

9. Power Output to P4,P5 & P7,P8 for Full Load.

10. Surge protection on data input ports.

