



# MSTronic Co., Ltd.

2F, 12, Gongshang Rd., Wugu District, New Taipei City, 248 Taiwan

TEL:886-2-2293-0159 FAX:886-2-2292-8851

E.MAIL: mse@mse.com.tw  
WEB: <http://www.mse.com.tw>

## SPECIFICATION

### MIT-33G-56BNN

#### PoE Injector

#### AC/DC, 1G/5G, Passive

#### 1. INPUT :

- 1.1 Input Voltage: AC 100V ~ 240V
- 1.2 Input Frequency : 50 ~ 60hz
- 1.3 Input Current: 1.2A at 100Vac @F.L  
0.7A at 240Vac @F.L
- 1.4 Inrush current: 25A max at 120Vac & 50A max at 230Vac

#### 2. OUTPUT :

#### 2.1 Output Voltage & Current:

|             |         |
|-------------|---------|
| OUTPUT      | +56V    |
| Max. load   | 1.07A   |
| Power       | 60W Max |
| Min. Load   | 0A      |
| Load reg. % | 5%      |
| Line reg. % | 1%      |
| Ripple %    | 1% *    |
| Noise %     | 2%      |

TOTAL POWER : 60 W

Note 1: Ripple & Noise bandwidth is from DC to 20Mhz. Terminated With a 47uF Capacitor and 0.1uf MPE Capacitor of Proper Polarity.

\* Above 100V = 1%

#### 3. EFFICIENCY : 85% min. at AC 100V ~ 240V Input @F.L

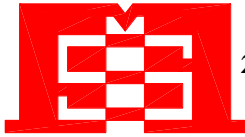
#### 4. PROTECTION

#### 4.1 Short Circuit Protection

output Short GND Terminal will not damage the Power Supply will Auto Recover when Load status going to normally.

#### 4.2 Over Voltage Protection : 59V ~ 63V

#### 4.3 Over Current Limits : 120% ~ 150% @100V ~ 240Vac



# MSTronic Co., Ltd.

2F, 12, Gongshang Rd., Wugu District, New Taipei City, 248 Taiwan

TEL:886-2-2293-0159 FAX:886-2-2292-8851

E.MAIL: mse@mse.com.tw

WEB: <http://www.mse.com.tw>

4.4 Input with Fuse Protection

5. EMC : Meet FCC Class B EN55032 Class B

5.1 SAFETY STANDARD : Meet EN62368-1

## 6. GENERAL DESCRIPTION

6.1 Operation Temperature: -40 - +50 Degree

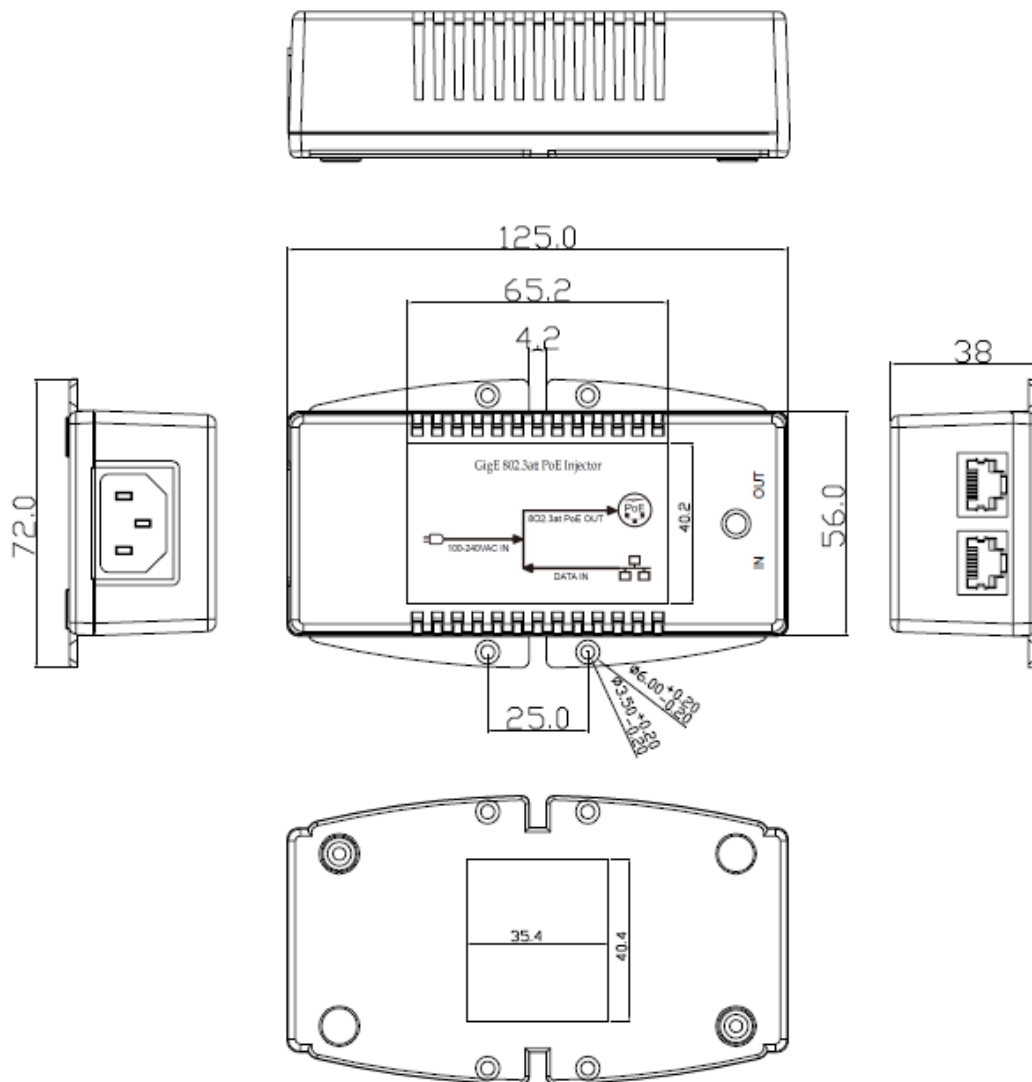
6.2 Storage Temperature: -40 - +85 Degree

6.3 Operation Humidity: 5% - 90%

6.4 Cooling: Free air cooling

6.5 SIZE 125\*72\*38 (L\*W\*H)

6.6 DIN rail mountable by clip kit (option)





# MSTronic Co., Ltd.

2F, 12, Gongshang Rd., Wugu District, New Taipei City, 248 Taiwan

TEL:886-2-2293-0159 FAX:886-2-2292-8851

E.MAIL: mse@mse.com.tw  
 WEB: http://www.mse.com.tw

## 7. RJ45 Connected and pin out: @1000/5000MBASE

| RJ-45 Input (Data Only) |        |              | RJ-45 Output (Data & Power) |                       |
|-------------------------|--------|--------------|-----------------------------|-----------------------|
| Pin                     | Symbol | Description  | Symbol                      | Description           |
| 1                       | BI_DA+ | Data Pair A+ | BI_DA+                      | Data Pair A+          |
| 2                       | BI_DA- | Data Pair A- | BI_DA-                      | Data Pair A-          |
| 3                       | BI_DB+ | Data Pair B+ | BI_DB+                      | Data Pair B+          |
| 4                       | BI_DC+ | Data Pair C+ | +Vdc + BI_DC+               | power(+)+Data Pair C+ |
| 5                       | BI_DC- | Data Pair C- | +Vdc + BI_DC-               | power(+)+Data Pair C- |
| 6                       | BI_DB- | Data Pair B- | BI_DB-                      | Data Pair B-          |
| 7                       | BI_DD+ | Data Pair D+ | -Vdc + BI_DD+               | power(-)+Data Pair D+ |
| 8                       | BI_DD- | Data Pair D- | -Vdc + BI_DD-               | power(-)+Data Pair D- |

Note. the input and output RJ45s with metal enclosure for shield, connected to FG.

## 8. Indicator:

LED (GREEN) indicates POE Output OK

## 9. Power Output to P4,P5 & P7,P8 for Full Load.

## 10. Surge protection on data input ports.

