



MSTronic Co., Ltd.

2F, 12, Gongshang Rd., Wugu District, New Taipei City, 248 Taiwan

TEL:886-2-2293-0159 FAX:886-2-2292-8851

E.MAIL: mse@mse.com.tw
WEB: <http://www.mse.com.tw>

SPECIFICATION

MIT-61-48P12DC-F

PoE Dual Output Converter

1. INPUT :

- 1.1 PoE Input Voltage:
 1. DC40V to DC60V NORMAL= 56V
 2. 802.3at
- 1.2 Under Voltage Lockout: DC -34V±1V

2. OUTPUT :

2.1 Output Voltage & Current:

	Output 1	Output 2
Voltage	12V	48V (Vo=Vi)
Max. load	1.0A	0.41A
Power	12W Max	20W Max
Min. Load	0A	0A
Load reg. %	5%	5%
Line reg. %	1%	1%
Ripple %	2%	2%
Noise %	5%	5%

TOTAL POWER : 32W

Note 1: Ripple & Noise bandwidth is from DC to 20Mhz.

Terminated With a 47uF Capacitor and 0.1uf MPE Capacitor of Proper Polarity.

Note 2: if input from 802.3at PSE, then ideal output is 12V/12W (first), the rest for 48V is 20W max. if input from 802.3af PSE, then the output will be reduced.

3. EFFICIENCY : 80% min @all Vin dc

4. PROTECTION

4.1 Short Circuit Protection

Output Short GND Terminal will not damage the Power Supply and will Auto-Reset.(Only 12V)



MSTronic Co., Ltd.

2F, 12, Gongshang Rd., Wugu District, New Taipei City, 248 Taiwan

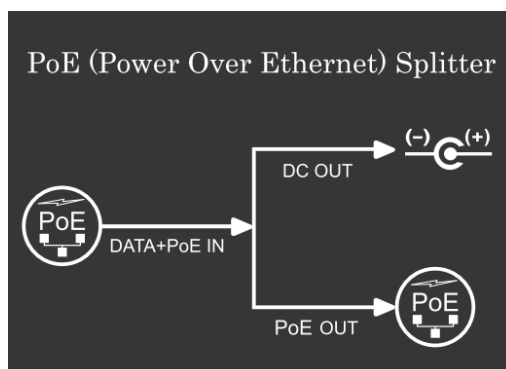
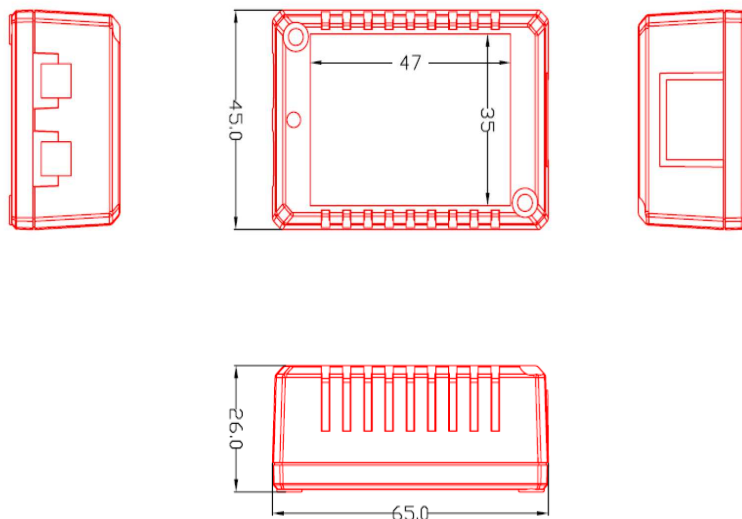
TEL:886-2-2293-0159 FAX:886-2-2292-8851

E.MAIL: mse@mse.com.tw
WEB: <http://www.mse.com.tw>

- 4.2 Operation frequency is 125KHZ
- 4.3 Isolation Voltage : 1500Vdc
- 4.4 Isolation Resistance :100M ohms (min)
- 4.5 Input Signature Resistance : 25K ohms
- 4.6 PoE 802.3at/af Input.
- 4.7 Maximum Capacitive Load : 100UF
- 4.8 POE OUT Voltage and POE IN is the same.

5. GENERAL DESCRIPTION

- 5.1 Operation Temperature: -25 - +50°C
- 5.2 Storage Temperature: -40 - +85°C
- 5.3 Operation Humidity: 5% - 90%RH (non-condensing)
- 5.4 Cooling: Free air cooling
- 5.5 SIZE : 65x45x26 (L*W*H)m/m





MSTronic Co., Ltd.

2F, 12, Gongshang Rd., Wugu District, New Taipei City, 248 Taiwan

TEL:886-2-2293-0159 FAX:886-2-2292-8851

E.MAIL: mse@mse.com.tw
 WEB: http://www.mse.com.tw

6. CHANNEL CONNECTORS & PIN OUT :

6.1 RJ45 Input (10/100M)

RJ-45 Input (Data & Power)		
Pin	Symbol	Description
1	RX+, Vin +/-	Data Receive/ Feeding power(+/-)
2	RX-, Vin +/-	Data Receive/Feeding power(+/-)
3	TX+, Vin +/-	Data Receive/Feeding power(+/-)
4	Vin +/-	Feeding power(+/-)
5	Vin +/-	Feeding power(+/-)
6	TX-, Vin +/-	Data Receive/ Feeding power(+/-)
7	Vin +/-	Feeding power(+/-)
8	VIn +/-	Feeding power(+/-)
	Shield	Floating Ground

6.2 RJ45 Output (output 2)

RJ-45 Output (Data & Power)		
Pin	Symbol	Description
1	RX+	Data Receive
2	RX-	Data Receive
3	TX+	Data Receive
4	VO+	Feeding power(+)
5	VO+	Feeding power(+)
6	TX-	Data Receive
7	VO-	Feeding power(-)
8	V0-	Feeding power(-)
	Shield	Floating Ground

6.3 DC Power Plug (Output 1)

Diameter : 5.5mm * 2.5mm * 12mm

Polarity : Inside is (+) , Outside is (-)

