



MSTronic Co., Ltd.

2F, 12, Gongshang Rd., Wugu District, 248 New Taipei City, Taiwan

TEL:886-2-2293-0159 FAX:886-2-2292-8851

E.MAIL: mse@mse.com.tw

WEB: <http://www.mse.com.tw>

MIT-69G-4848BDNN

Gigabit PoE Injector

SPECIFICATION

1. INPUT :

- 1.1 Input Voltage: 40Vdc to 60Vdc Normal=48V
- 1.2 Input Current:
 - 0.54A at 40Vdc
 - 0.45A at 48Vdc
 - 0.36A at 60Vdc

*Note: isolated design, both positive and negative input are all available.

2. OUTPUT :

2.1 Output Voltage & Current:

OUTPUT	+48V
Max. load	0.35A
Power	16.8W
Min. Load	0A
Load reg. %	5%
Line reg. %	1%
Ripple %	1%
Noise %	1%

TOTAL POWER :16.8W

Note 1: Noise bandwidth is from DC to 20Mhz. Ripple & Noise is measured by Paralleling a 0.1uF metalize capacitor on the test point.

3. EFFICIENCY : 80% min at Full Load , 40Vdc ~60Vdc Input Voltage

4. PROTECTION

4.1 Short Circuit Protection

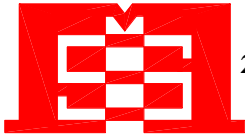
Output Short GND Terminal will not damage the Power Supply and will Auto-Reset.

4.2 Input with Fuse Protection.

4.3 Safety Standard: meet EN62368-1.

4.4 EMC : meet FCC Class A, EN55032 Class A, EN55035, EN60945, EN50155

4.5 Over Current : 802.3af Limits @40~60Vdc Input F.L



MSTronic Co., Ltd.

2F, 12, Gongshang Rd., Wugu District, 248 New Taipei City, Taiwan

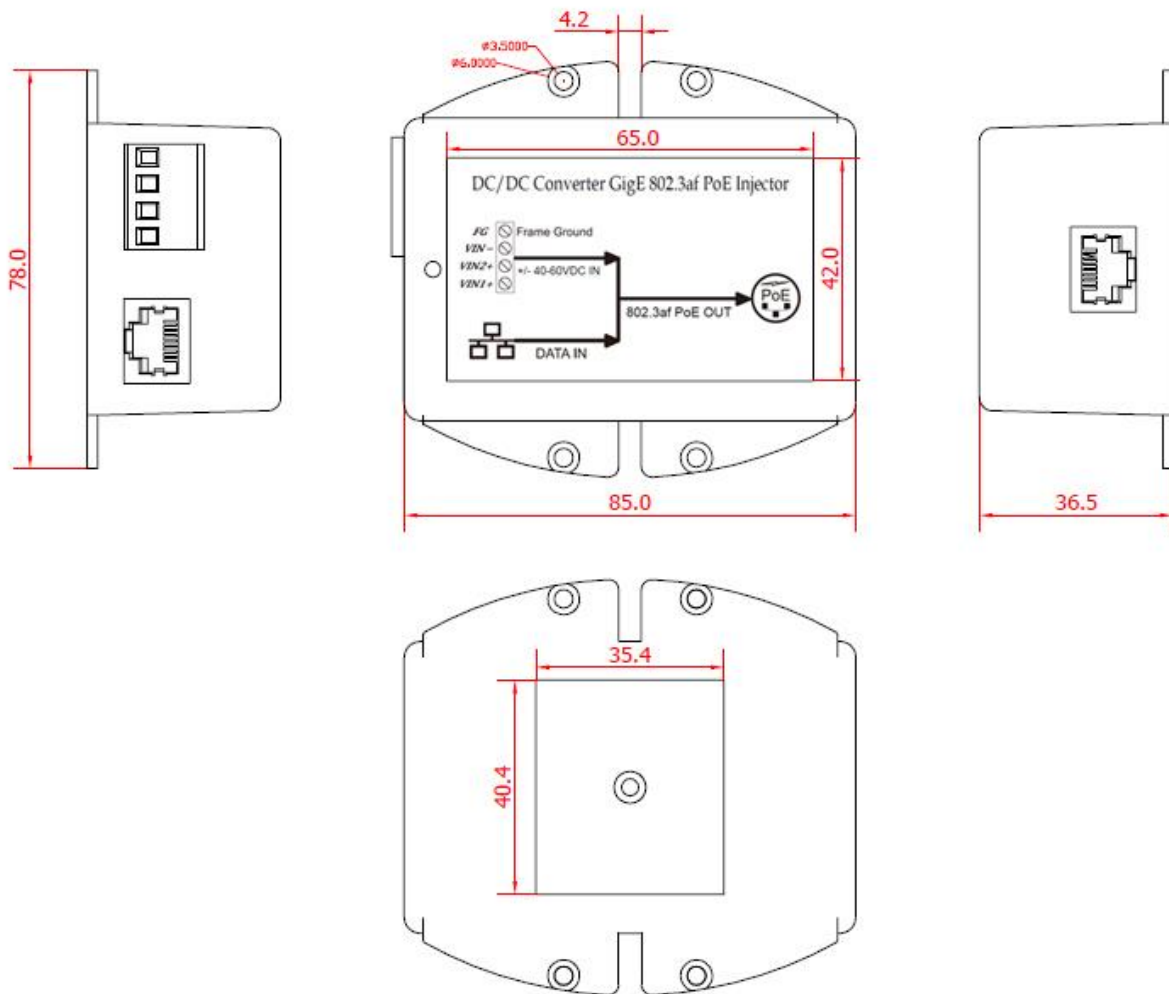
TEL:886-2-2293-0159 FAX:886-2-2292-8851

E.MAIL: mse@mse.com.tw
WEB: <http://www.mse.com.tw>

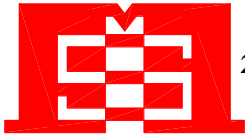
- 4.6 Dual Input Pin & Reverse Protection-----NO Work
- 4.7 Input low voltage protection : 32V \pm 0.5V Power Turn-off

5. GENERAL DESCRIPTION

- 5.1 Operation Temperature: -25C - +45C
- 5.2 Storage Temperature: -40C - +85C
- 5.3 Operation Humidity: 5% - 90%
- 5.4 Cooling: Free air cooling
- 5.5 Dimensions: Plastic case (MIT-69G-4848BDNN): 85*78*36 (L)*(W)*(H)



MIT-69G-4848BDNN



MSTronic Co., Ltd.

2F, 12, Gongshang Rd., Wugu District, 248 New Taipei City, Taiwan

TEL:886-2-2293-0159 FAX:886-2-2292-8851

E.MAIL: mse@mse.com.tw
 WEB: http://www.mse.com.tw

6. Indicator :

6.1 Output Ready the LED will be “RED”

6.2 Output 802.3af OK the LED will be “GREEN”

7. RJ45 Connected and pin out: @1000MBASE

RJ-45 Input (Data Only)			RJ-45 Output (Data & Power)	
Pin	Symbol	Description	Symbol	Description
1	BI_DA+	Data Pair A+	BI_DA+	Data Pair A+
2	BI_DA-	Data Pair A-	BI_DA-	Data Pair A-
3	BI_DB+	Data Pair B+	BI_DB+	Data Pair B+
4	BI_DC+	Data Pair C+	+Vdc +BI_DC+	power(+)+Data Pair C+
5	BI_DC-	Data Pair C-	+Vdc +BI_DC-	power(+)+Data Pair C-
6	BI_DB-	Data Pair B-	BI_DB-	Data Pair B-
7	BI_DD+	Data Pair D+	-Vdc + BI_DD+	power(-)+Data Pair D+
8	BI_DD-	Data Pair D-	-Vdc + BI_DD-	power(-)+Data Pair D-

Note : the model is isolated design, the output +/- or input +/- can be shorted to ground (FG).

