



MSTronic Co., Ltd.

2F, 12, Gongshang Rd., Wugu District, New Taipei City, 248, Taiwan

TEL:886-2-2293-0159 FAX:886-2-2292-8851

E.MAIL: mse@mse.com.tw

WEB: <http://www.mse.com.tw>

MS-T100E-IP66

Outdoor Network Lightning/Surge Protector
PoE Compatible

Feature

- + **CAT5e/CAT6/CAT6a compatible**
- + **Gigabit Ethernet available**
- + **802.3af/at compliant**
- + **UL 497B approved (surge protector)**
- + **IP66 waterproof**
- + **Anti-UV plastic**
- + **4" stainless steel hose clamp for lighting pole mount**

Specification

1. Nominal voltage operating DC voltage: 48 V
2. Max. continuous operating DC voltage: 56V
3. Max. continuous DC voltage pair-pair (PoE): 58V
4. Nominal current: 1.25 A(Each pair of lines)
5. Nominal discharge current line-line: 125A (8/20 μ s)
6. Nominal discharge current line-FG: 100A (10/1000 μ s,300 times with 3 mins interval)
7. Total nominal discharge current line-FG: 5KA (8/20 μ s,10 times with 3 mins interval)
8. Voltage protection level line-line: 47V ~ 77V (@ IP = 2.5A(@rising voltage 100V/s)
9. Voltage protection level line-line (POE): 98V ~ 550V (@rising voltage 1000V/uS)
10. Voltage protection level line-FG: 98V ~ 550V (@rising voltage 1000V/uS)
11. Rated Stand-OFF Voltage : 48V(1,2/3,6) & (4,5/7,8)
12. Capacitance line-line: ≤ 5 PF
13. Capacitance line-FG: ≤ 5 PF
14. Operating temperature range: -40°C to +90°C
15. Connection (input / output): RJ45 socket
16. Pinning 1 / 2, 3 / 6, 4 / 5, 7 / 8
17. Data Rate : 10/100/1000 Mbps
18. Ground Lug Wire : 14AWG 275mm \pm 5mm





MSTronic Co., Ltd.

2F, 12, Gongshang Rd., Wugu District, New Taipei City, 248, Taiwan

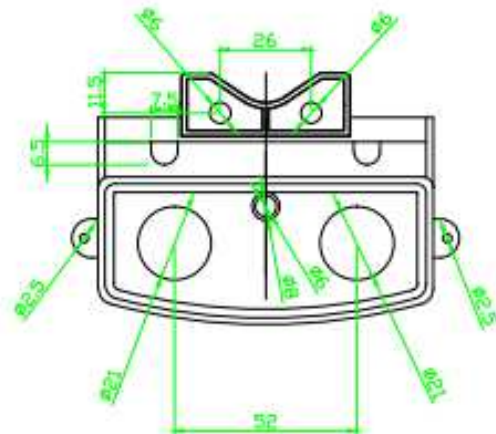
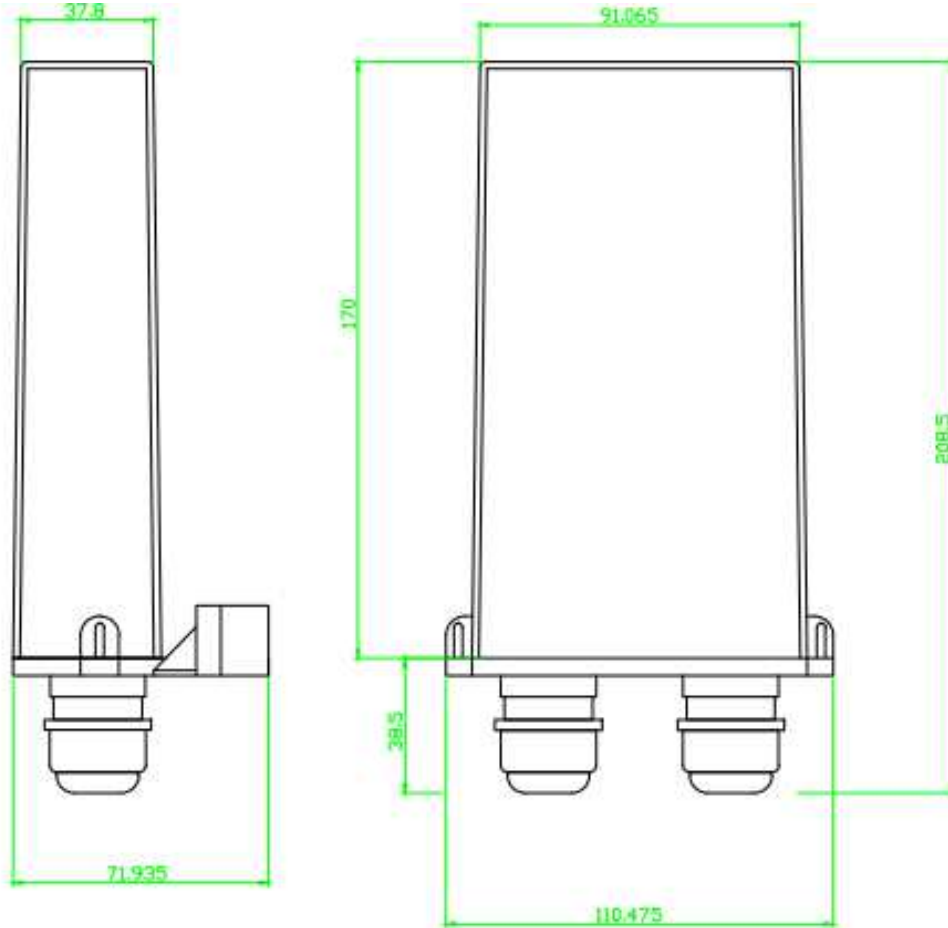
TEL:886-2-2293-0159 FAX:886-2-2292-8851

E.MAIL: mse@mse.com.tw

WEB: <http://www.mse.com.tw>

19. Weight : 270g

20. Dimensions : 111*72*209mm





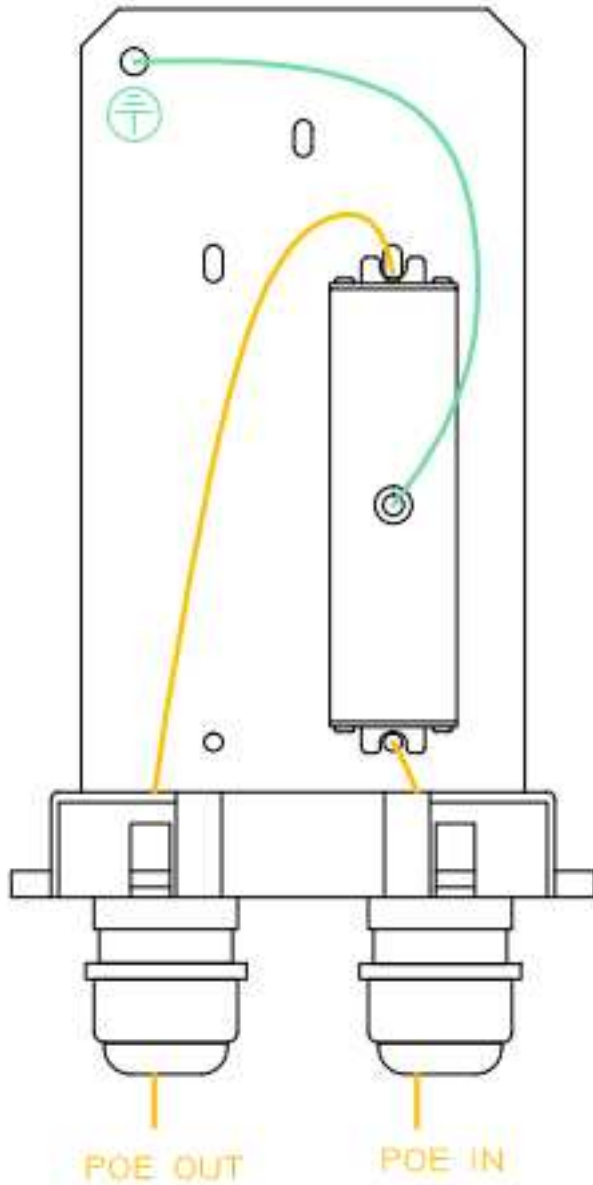
MSTronic Co., Ltd.

2F, 12, Gongshang Rd., Wugu District, New Taipei City, 248, Taiwan

TEL:886-2-2293-0159 FAX:886-2-2292-8851

E.MAIL: mse@mse.com.tw

WEB: <http://www.mse.com.tw>



— POE IN / POE OUT

— GROUND