



MSTronic Co., Ltd.

2F, 12, Gongshang Rd., Wugu District, New Taipei City, 248 Taiwan

TEL:886-2-2293-0159 FAX:886-2-2292-8851

E.MAIL: mse@mse.com.tw

WEB: <http://www.mse.com.tw>

MIT-91G-A2456D-BT

AC/DC Gigabit PoE Injector

SPECIFICATION

1. INPUT :

- 1.1 Input Voltage: 22Vac to 35Vac Normal = 24Vac
20Vdc to 48Vdc Normal = 24Vdc
- 1.2 Input Current: 4.42A at 24Vac/50hz Full Load
4.82A at 22Vac/50hz Full Load
3.12A at 35Vac/50hz Full Load
4.40A at 24Vdc Full Load
- 1.3 Input Frequency : 50/60hz
- 1.4 Power Factor: >0.95(at F.L).

2. OUTPUT :

2.1 Output Voltage & Current:

OUTPUT	+56V
Max. load	1.6A
Power	90W
Min. Load	0A
Load reg. %	5%
Line reg. %	1%
Ripple %	1%
Noise %	1%

TOTAL POWER : 90W

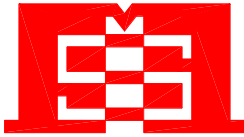
Note 1: Noise bandwidth is from DC to 20Mhz. Ripple & Noise is measured by Paralleling a 0.1uF metalize capacitor on the test point.

3. EFFICIENCY : 80% min at Full Load , 22Vac ~ 35Vac Input Voltage

4. PROTECTION

4.1 Short Circuit Protection

Output Short GND Terminal will not damage the Power Supply and will Auto-Reset.



MSTronic Co., Ltd.

2F, 12, Gongshang Rd., Wugu District, New Taipei City, 248 Taiwan

TEL:886-2-2293-0159 FAX:886-2-2292-8851

E.MAIL: mse@mse.com.tw

WEB: <http://www.mse.com.tw>

- 4.2 Input with Fuse Protection.
- 4.3 Safety Standard : meet EN62368-1.
- 4.4 EMC : meet FCC Class B , EN55032 Class B
- 4.5 Over Current : 802.3bt Limits @All AC Input F.L

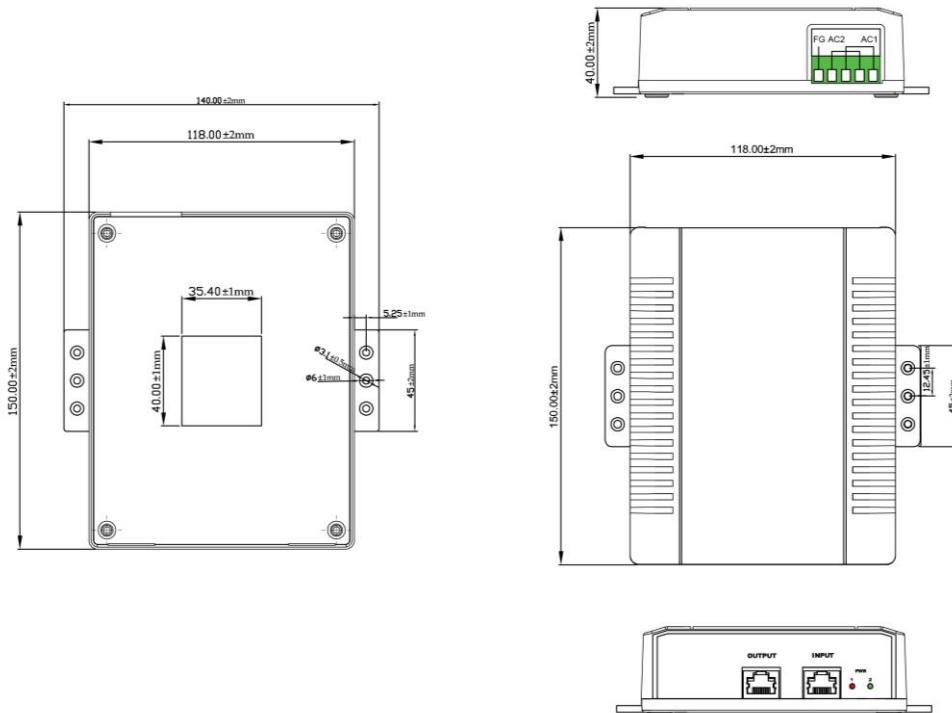
Warning :

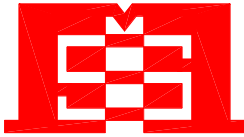
Input Fuse(T6.3A-125V) Must be installed at Line and Line. (The fuse must be installed on one of the wires.)

The ground of the power supply must be connected to the ground of the load, and also to the ground of the machine

5. GENERAL DESCRIPTION

- 5.1 Operation Temperature: -40 - +70 Degree
- 5.2 Storage Temperature: -40 - +85 Degree
- 5.3 Operation Humidity: 5% - 90%
- 5.4 Cooling: Free air cooling
- 5.5 SIZE : 140*150*40 (L*W*H)m/m DIN rail mountable





MSTronic Co., Ltd.

2F, 12, Gongshang Rd., Wugu District, New Taipei City, 248 Taiwan

TEL:886-2-2293-0159 FAX:886-2-2292-8851

E.MAIL: mse@mse.com.tw

WEB: <http://www.mse.com.tw>

Warning! use AC1 (pin3(L),5(N)) to input AC or use AC2 (pin 2(L),4(N)) to input AC.

6. Indication :

6.1 LED1(RED) Indicate POE Output no valid detection.

6.2 LED2(GREEN) Indicate POE Output 802.3af/at/bt PD detected

7. RJ45 Pin Assignment : @1000M/5000M

7. CHANNEL CONNECTORS & PINOUT :

RJ-45 Input (only Data)		
Pin	Symbol	Description
1	BI_DA+	Data Pair A+
2	BI_DA-	Data Pair A-
3	BI_DB+	Data Pair B+
4	BI_DC+	Data Pair C+
5	BI_DC-	Data Pair C-
6	BI_DB-	Data Pair B-
7	BI_DD+	Data Pair D+
8	BI_DD-	Data Pair D-
9	Shield	Connector shielding

RJ-45 Output (Data & Power)		
Pin	Symbol	Description
1	BI_DA+, Vo-	Data Pair A+, Output power (-)
2	BI_DA-, Vo-	Data Pair A-, Output power (-)
3	BI_DB+, Vo+	Data Pair B+, Output power (+)
4	BI_DC+, Vo+	Data Pair C+, Output power (+)
5	BI_DC-, Vo+	Data Pair C-, Output power (+)
6	BI_DB-, Vo+	Data Pair B-, Output power (+)
7	BI_DD+, Vo-	Data Pair D+, Output power (-)
8	BI_DD-, Vo-	Data Pair D-, Output power (-)
9	Shield	Connector shielding



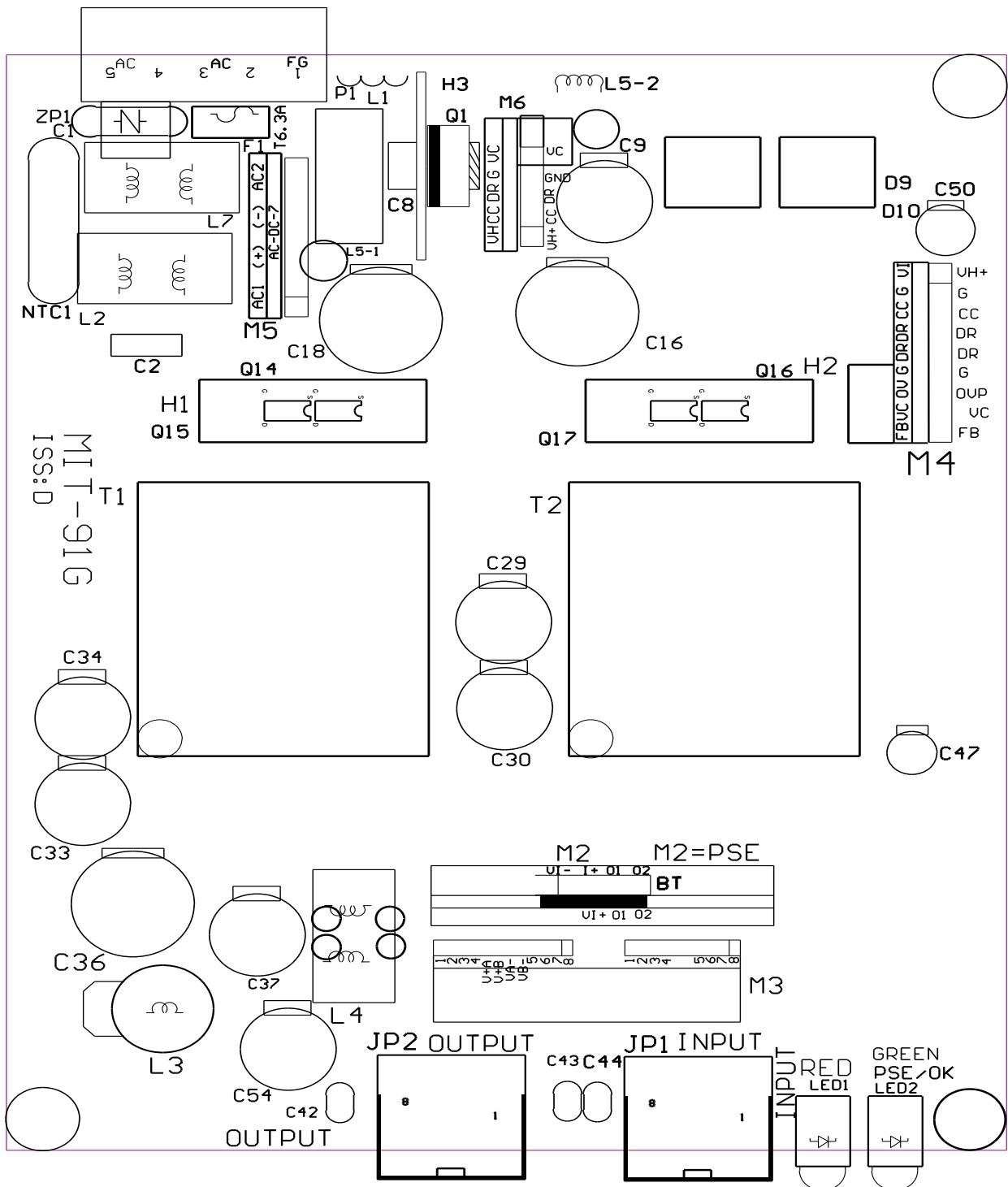
MSTronic Co., Ltd.

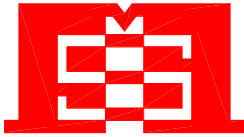
2F, 12, Gongshang Rd., Wugu District, New Taipei City, 248 Taiwan

TEL:886-2-2293-0159 FAX:886-2-2292-8851

E.MAIL: mse@mse.com.tw

WEB: <http://www.mse.com.tw>





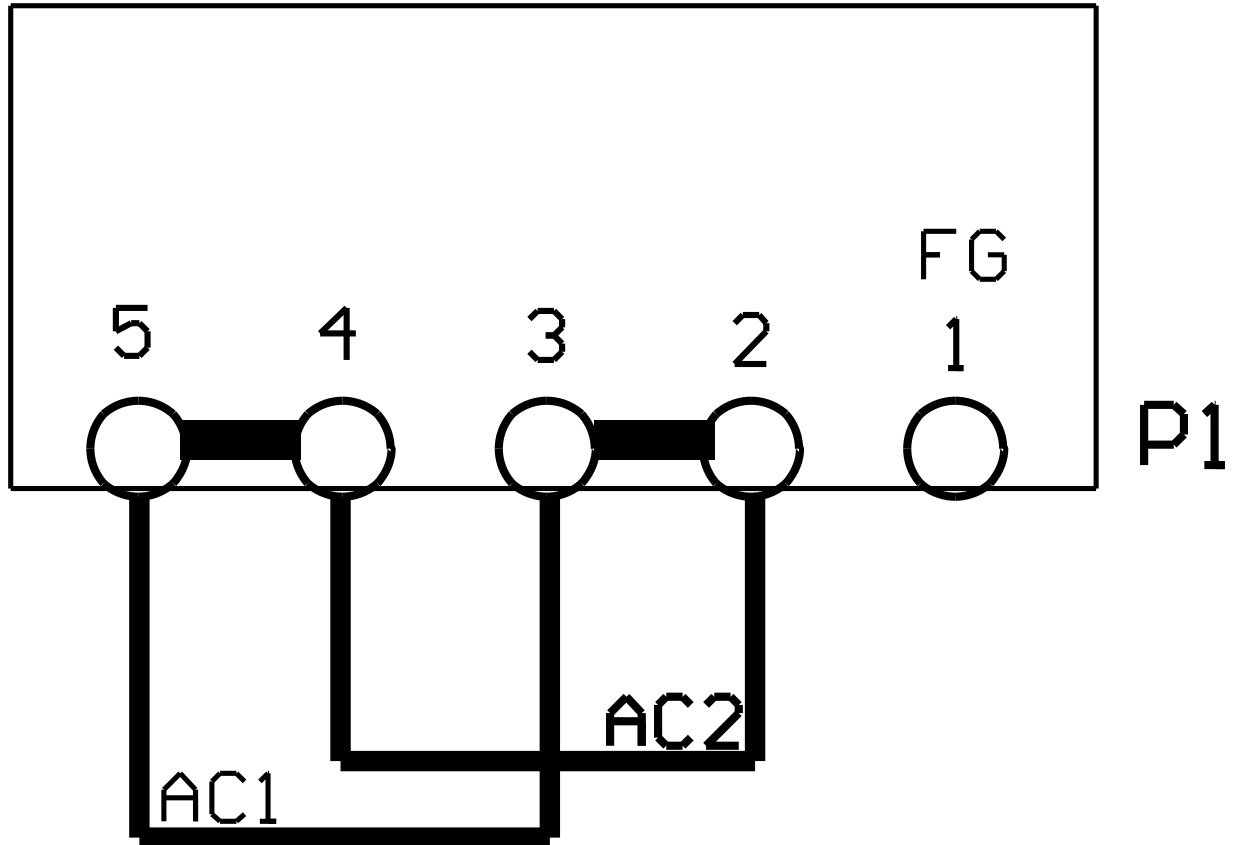
MSTronic Co., Ltd.

2F, 12, Gongshang Rd., Wugu District, New Taipei City, 248 Taiwan

TEL:886-2-2293-0159 FAX:886-2-2292-8851

E.MAIL: mse@mse.com.tw

WEB: <http://www.mse.com.tw>



For AC input

use AC1 (pin3(L),5(N)) to input AC or use AC2 (pin 2(L),4(N)) to input AC.



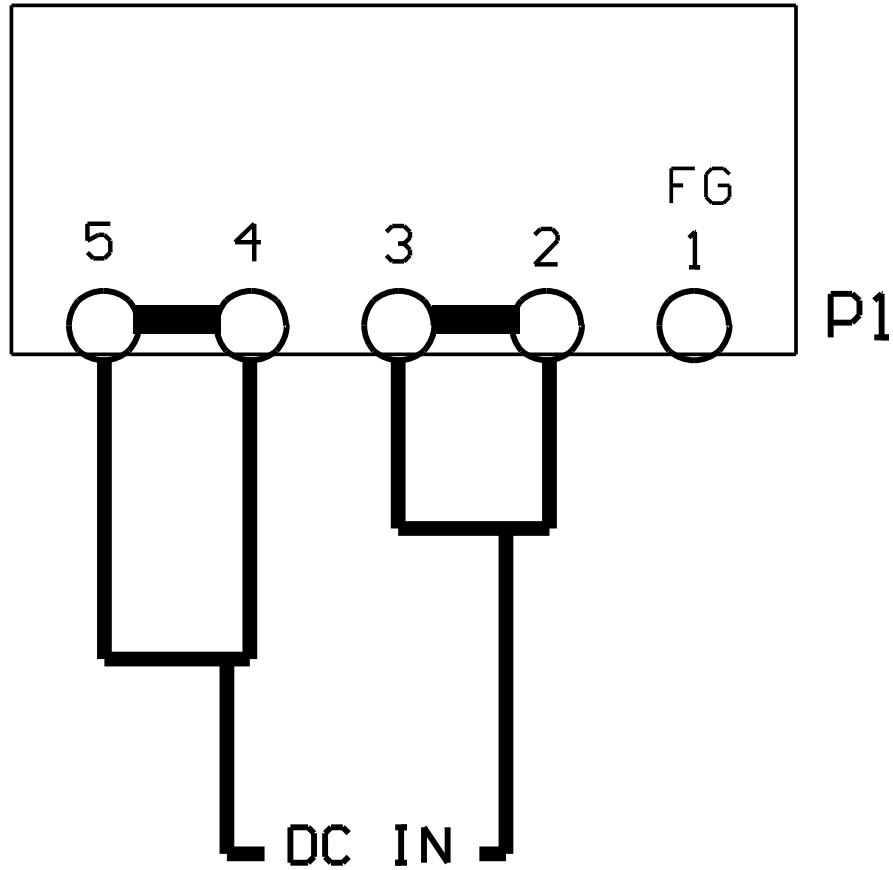
MSTronic Co., Ltd.

2F, 12, Gongshang Rd., Wugu District, New Taipei City, 248 Taiwan

TEL:886-2-2293-0159 FAX:886-2-2292-8851

E.MAIL: mse@mse.com.tw

WEB: <http://www.mse.com.tw>



For DC input

Use pin 4 or 5 and pin 2 or 3 to input DC, no matter what polarity, there is bridge inside.