



MSTronic Co., Ltd.

2F, 12, Gongshang Rd., Wugu District, New Taipei City, 248, Taiwan

TEL:886-2-2293-0159 FAX:886-2-2292-8851

E.MAIL: mse@mse.com.tw
WEB: <http://www.mse.com.tw>

SPECIFICATION

DIN-DC95-56D-BT

DC/DC Gigabit PoE Injector

802.3bt compliant

1. INPUT :

- 1.1 Input Voltage: DC : 11V ~ 60V
- 1.2 Input Current :
 - 10.6A @11Vin at full load
 - 9.7A @12Vin at full load
 - 4.84A @24Vin at full load
 - 2.42A @48Vin at full load
 - 1.94A @60Vin at full load

2. OUTPUT :

- 2.1 Output Voltage & Current:

OUTPUT	56V
Max. load	1.67A
Power	90W Max.
Min. load	0A
Load reg. %	5%
Line reg. %	1%
Ripple %	1%
Noise %	1%

Note 1: Noise bandwidth is from DC to 20Mhz. Ripple & Noise is measured by Paralleling a 0.1uF metalize capacitor on the test point.

- 3. EFFICIENCY : 90% min at Full Load , 11Vdc ~ 60Vdc Input Voltage

4. PROTECTION

- 4.1 Short Circuit Protection

Output Short GND Terminal will not damage the Power Supply and will auto-Reset.





MSTronic Co., Ltd.

2F, 12, Gongshang Rd., Wugu District, New Taipei City, 248, Taiwan

TEL:886-2-2293-0159 FAX:886-2-2292-8851

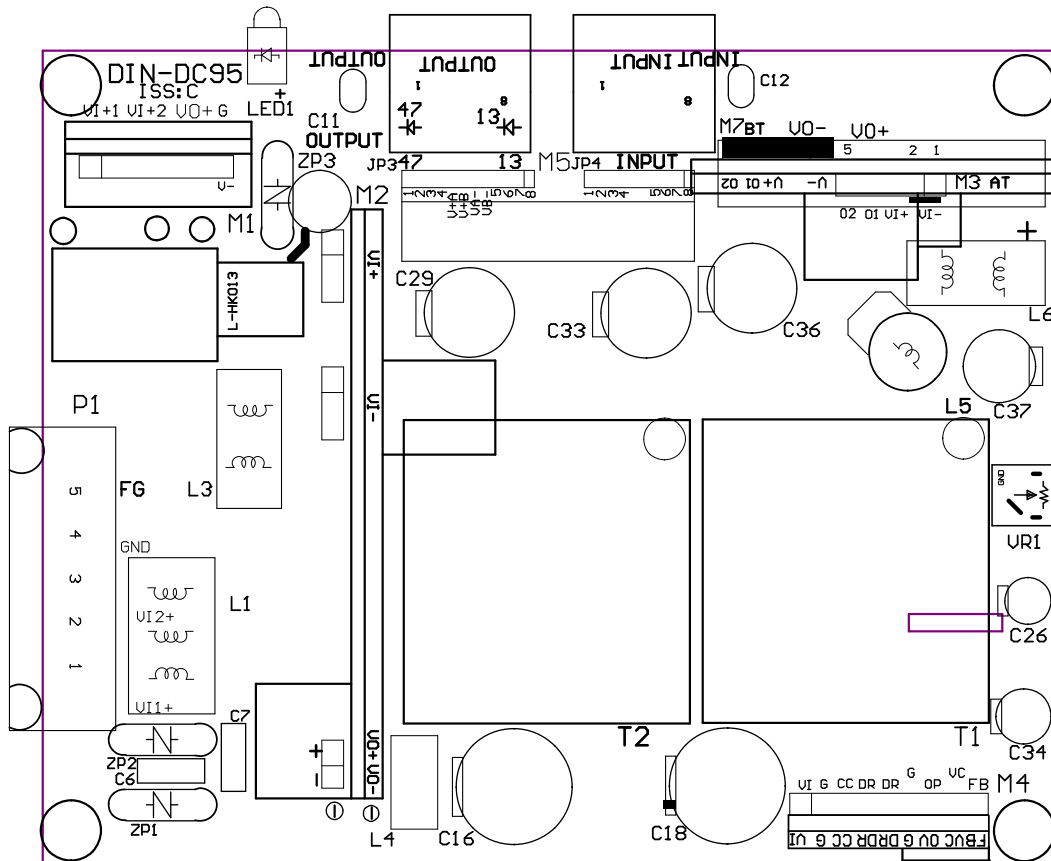
E.MAIL: mse@mse.com.tw
WEB: http://www.mse.com.tw

- 4.2 Input with Fuse Protection.
- 4.3 Over Current : 802.3bt Class 8(96.6W)@All DC Input F.L
- 4.4 Input polarity Reverse Protection----- will not damage the Power Supply, NO work.
- 4.5 Input Over low Voltage Protection : 8V ~ 9V Turn-off Input
- 4.6 Surge protection on data input ports:

5.0 Indicators (on front panel, output RJ45)

JP3 GREEN indicates PSE 802.3bt Output –OK

LED1 PWR PSE ready



6. GENERAL DESCRIPTION

- 6.1 Operation Temperature: -40 - +70 C
- 6.2 Storage Temperature: -40 - +85 C



MSTronic Co., Ltd.

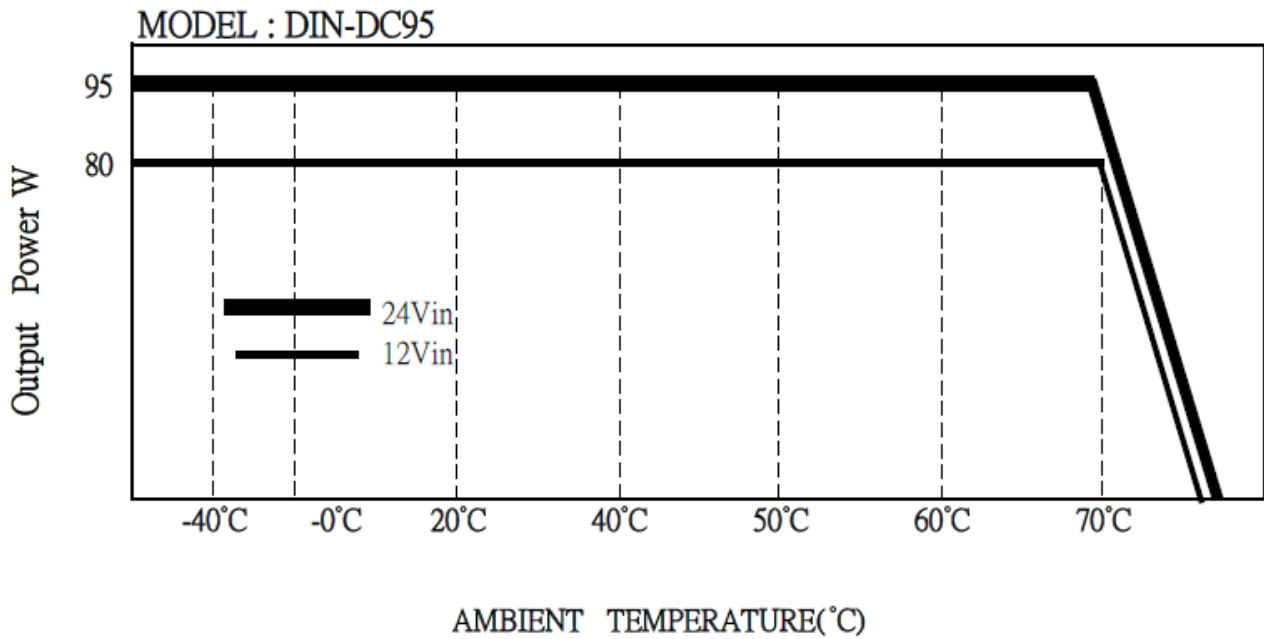
2F, 12, Gongshang Rd., Wugu District, New Taipei City, 248, Taiwan

TEL:886-2-2293-0159 FAX:886-2-2292-8851

E.MAIL: mse@mse.com.tw
 WEB: http://www.mse.com.tw

- 6.3 Operation Humidity: 5% - 90%
- 6.4 Cooling: Free air cooling
- 6.5 SIZE : 66 x 125 x 102 mm (W*H*D)

RATING TEMPERATURE LIMITS AND OUTPUT POWER RANGE



7. RJ45 pin out assignment: (10M/100M/1000M)

RJ-45 Input (Data Only)			RJ-45 Output (Data & Power)	
Pin	Symbol	Description	Symbol	Description
1	BI_DA+	Data Pair A+	-Vdc +BI_DA+	power(-)+Data Pair A+
2	BI_DA-	Data Pair A-	-Vdc +BI_DA-	power(-)+Data Pair A-
3	BI_DB+	Data Pair B+	+Vdc +BI_DB+	power(+)+Data Pair B+
4	BI_DC+	Data Pair C+	+Vdc +BI_DC+	power(+)+Data Pair C+
5	BI_DC-	Data Pair C-	+Vdc +BI_DC-	power(+)+Data Pair C-
6	BI_DB-	Data Pair B-	+Vdc +BI_DB-	power(+)+Data Pair B-
7	BI_DD+	Data Pair D+	-Vdc +BI_DD+	power(-)+Data Pair D+
8	BI_DD-	Data Pair D-	-Vdc +BI_DD-	power(-)+Data Pair D-

Note : the model is isolated design.



MSTronic Co., Ltd.

2F, 12, Gongshang Rd., Wugu District, New Taipei City, 248, Taiwan

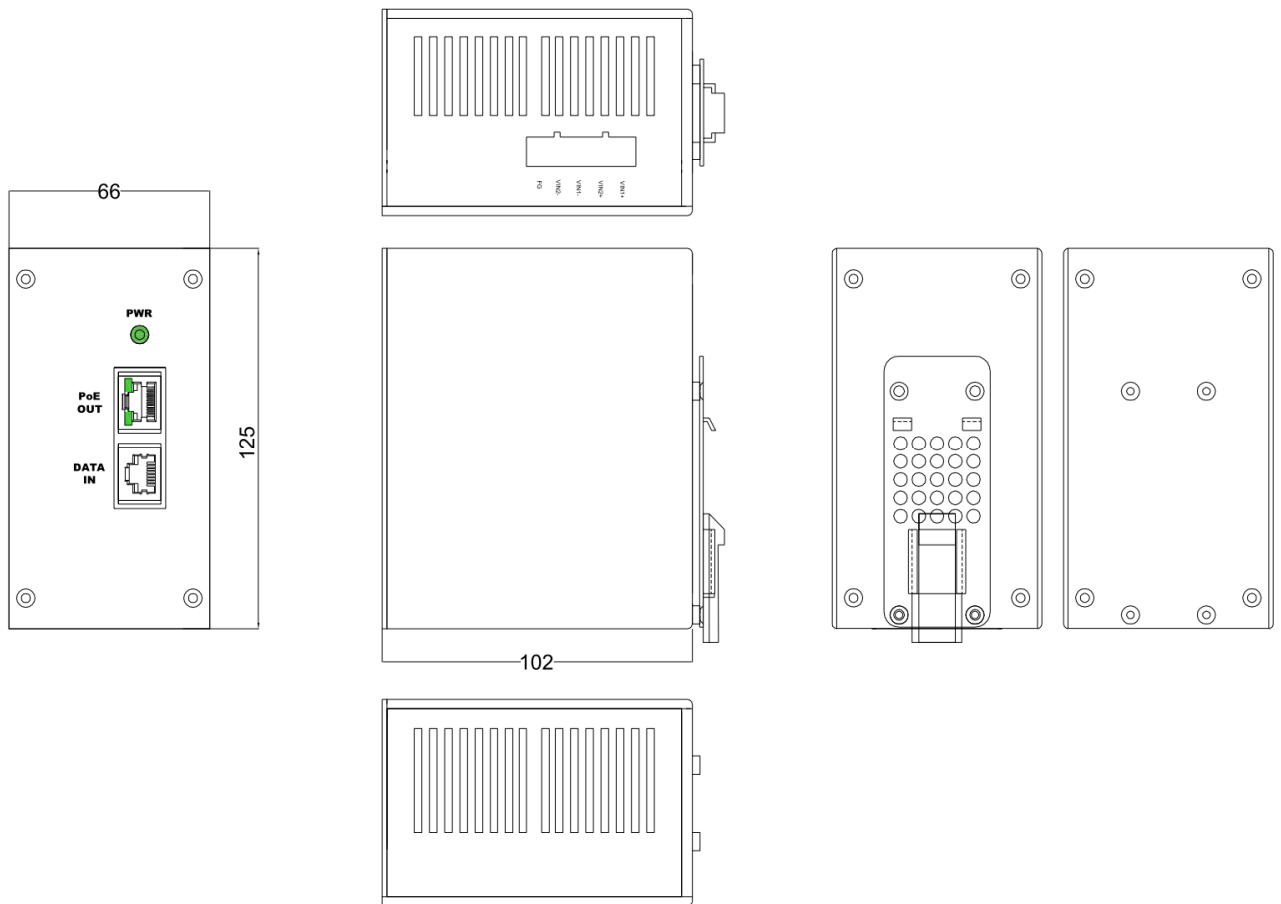
TEL:886-2-2293-0159 FAX:886-2-2292-8851

E.MAIL: mse@mse.com.tw
WEB: <http://www.mse.com.tw>

8. CONNECTOR FIGURE :

Input : 5EHDRM-5P (P1)

Allow two inputs for redundant.



Power over Ethernet Application Guide

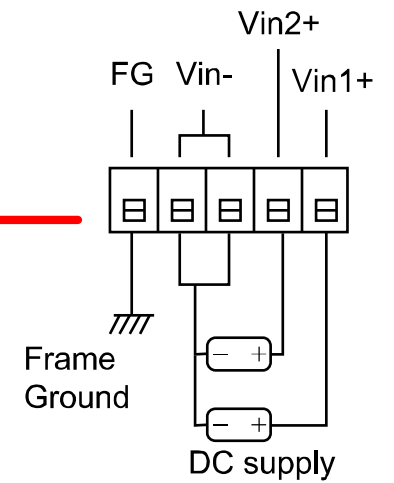


PoE on all Pin 1~8
56V 90W
(DIN-DC95-56D-BT)

PoE on all Pin 1~8
56V 95W
(DIN-DC95-56PNN)



DC11V-60V Input



***Note:**

Once input voltage is 12V,
must use Vin1 & Vin2 in the same time
to share the input current.

10/100/1000/5000 Ethernet data