



MSTronic Co., Ltd.

2F, 12, Gongshang Rd., Wugu District, New Taipei City, 248 Taiwan

TEL:886-2-2293-0159 FAX:886-2-2292-8851

E.MAIL: mse@mse.com.tw

WEB: <http://www.mse.com.tw>

MIT-20G-A2456DBNN

AC/DC Gigabit PoE Injector

SPECIFICATION

1. INPUT :

- 1.1 Input Voltage: 22Vac to 35Vac Normal = 24Vac
- 1.2 Input Current: 5.720A at 24Vac/50hz Full Load
6.47A at 22Vac/50hz Full Load
3.95A at 35Vac/50hz Full Load
- 1.3 Input Frequency : 50/60hz
- 1.4 Power Factor: >0.53(at F.L) suggest : initial add Inductor.

2. OUTPUT :

2.1 Output Voltage & Current:

OUTPUT	+56V2
Max. load	1.25A
Power	70W
Min. Load	0A
Load reg. %	5%
Line reg. %	1%
Ripple %	1%
Noise %	1%

TOTAL POWER : 70W

Note 1: Noise bandwidth is from DC to 20Mhz. Ripple & Noise is measured by Paralleling a 0.1uF metalize capacitor on the test point.

3. EFFICIENCY : 80% min at Full Load , 22Vac ~ 35Vac Input Voltage

4. PROTECTION

4.1 Short Circuit Protection

Output Short GND Terminal will not damage the Power Supply and will Auto-Reset.

4.2 Input with Fuse Protection.

4.3 Safety Standard : meet UL1950, CSA 22.2 & TUV EN62368-1.



MSTronic Co., Ltd.

2F, 12, Gongshang Rd., Wugu District, New Taipei City, 248 Taiwan

TEL:886-2-2293-0159 FAX:886-2-2292-8851

E.MAIL: mse@mse.com.tw

WEB: <http://www.mse.com.tw>

4.4 EMC : meet FCC Class B , EN55032 Class B

4.5 Over Current : 802.3bt Limits @All AC Input F.L

Warning :

Input Fuse(T5A-125V) Must be installed at Line and Line. (The fuse must be installed on one of the wires.)

It is strongly recommended to install an inductor at the input (minimum 1mH)

The ground of the power supply must be connected to the ground of the load, and also to the ground of the machine

5. GENERAL DESCRIPTION

5.1 Operation Temperature: -40 - +70 Degree

5.2 Storage Temperature: -40 - +85 Degree

5.3 Operation Humidity: 5% - 90%

5.4 Cooling: Free air cooling

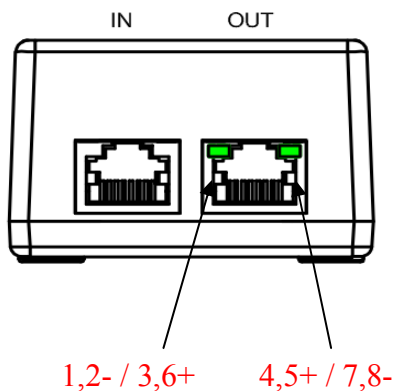
5.5 SIZE : 125*72*38 (L)*(W)*(H) unit: m/m

5.6 DIN rail mountable : DIN rail clip kit option

6. Indicators :

6.1 the LED on top cover light GREEN when Power Ready

6.2 the LEDs on right RJ45 light GREEN when powering to 802.3BT PD, the left LED ON means the data pairs powering, the right LED ON means the spare pairs powering. If no valid PD be connected, the two LEDs light off.





MSTronic Co., Ltd.

2F, 12, Gongshang Rd., Wugu District, New Taipei City, 248 Taiwan

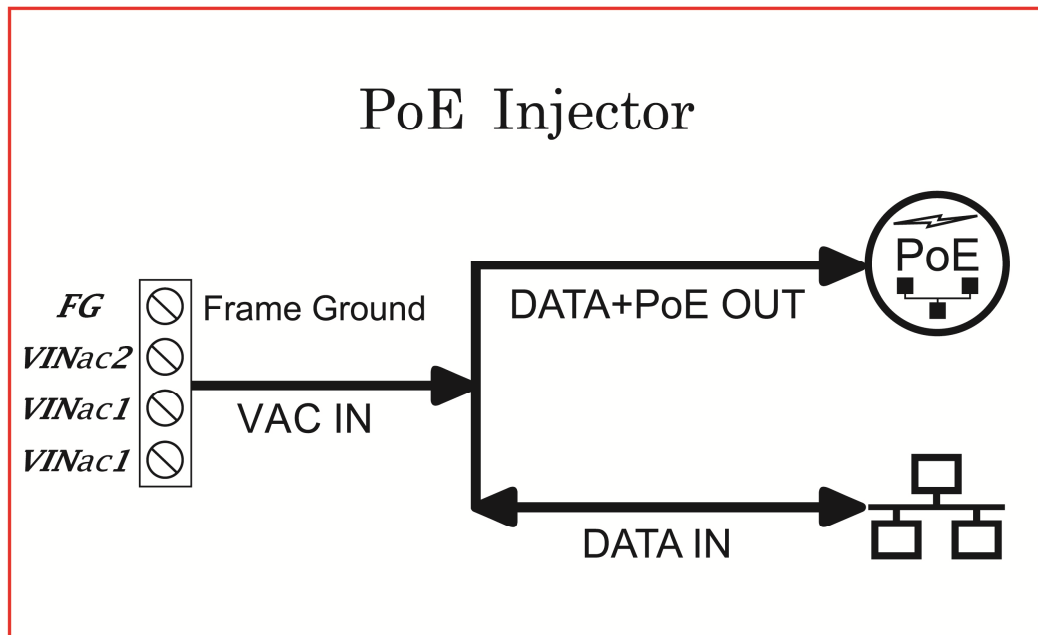
TEL:886-2-2293-0159 FAX:886-2-2292-8851

E.MAIL: mse@mse.com.tw
 WEB: <http://www.mse.com.tw>

7. RJ45 Pin Assignment : @1000M

RJ-45 Input (Data Only)			RJ-45 Output (Data & Power)	
Pin	Symbol	Description	Symbol	Description
1	BI_DA+	Data Pair A+	-Vdc + BI_DA+	power(-)+Data Pair A+
2	BI_DA-	Data Pair A-	-Vdc + BI_DA-	power(-)+Data pair A-
3	BI_DB+	Data Pair B+	+Vdc + BI_DB+	power(+)+Data Pair B+
4	BI_DC+	Data Pair C+	+Vdc + BI_DC+	power(+)+Data Pair C+
5	BI_DC-	Data Pair C-	+Vdc + BI_DC-	power(+)+Data Pair C-
6	BI_DB-	Data Pair B-	+Vdc + BI_DB-	power(+)+Data Pair B-
7	BI_DD+	Data Pair D+	-Vdc + BI_DD+	power(-)+Data Pair D+
8	BI_DD-	Data Pair D-	-Vdc + BI_DD-	power(-)+Data Pair D-

8. INPUT CONNECTION:





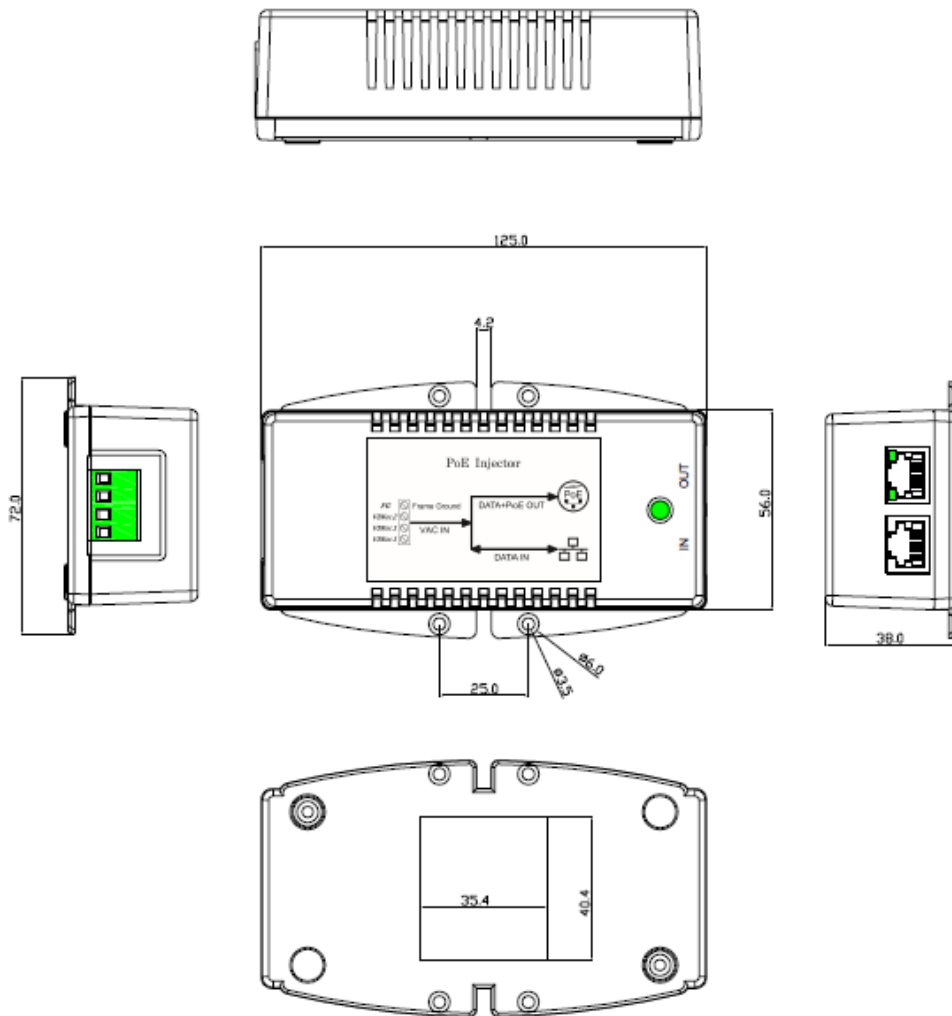
MSTronic Co., Ltd.

2F, 12, Gongshang Rd., Wugu District, New Taipei City, 248 Taiwan

TEL:886-2-2293-0159 FAX:886-2-2292-8851

E.MAIL: mse@mse.com.tw

WEB: <http://www.mse.com.tw>





MSTronic Co., Ltd.

2F, 12, Gongshang Rd., Wugu District, New Taipei City, 248 Taiwan

TEL:886-2-2293-0159 FAX:886-2-2292-8851

E.MAIL: mse@mse.com.tw

WEB: <http://www.mse.com.tw>

